

PROJECT REF:	
UNIT REF:	
FOOT PRESSURE:	
UDL:	

A

A

B

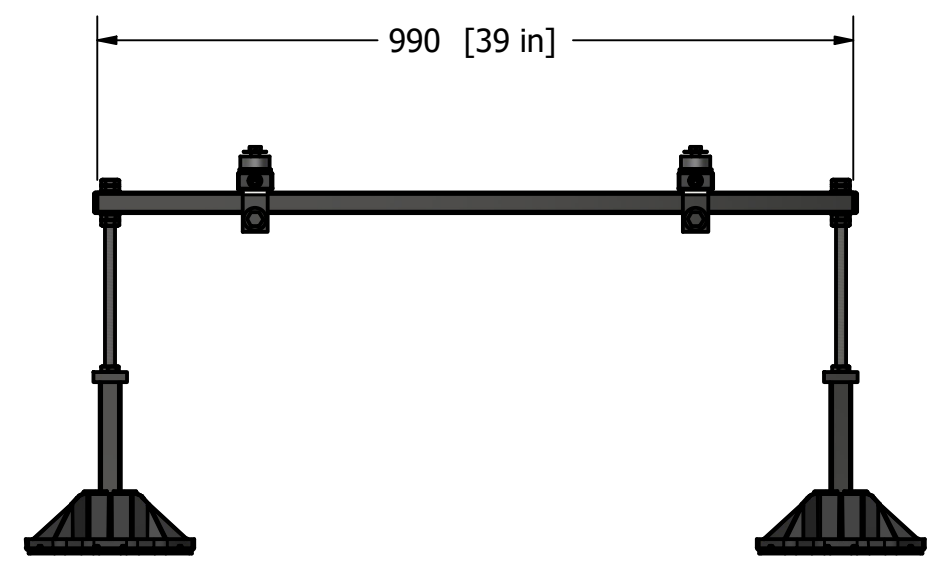
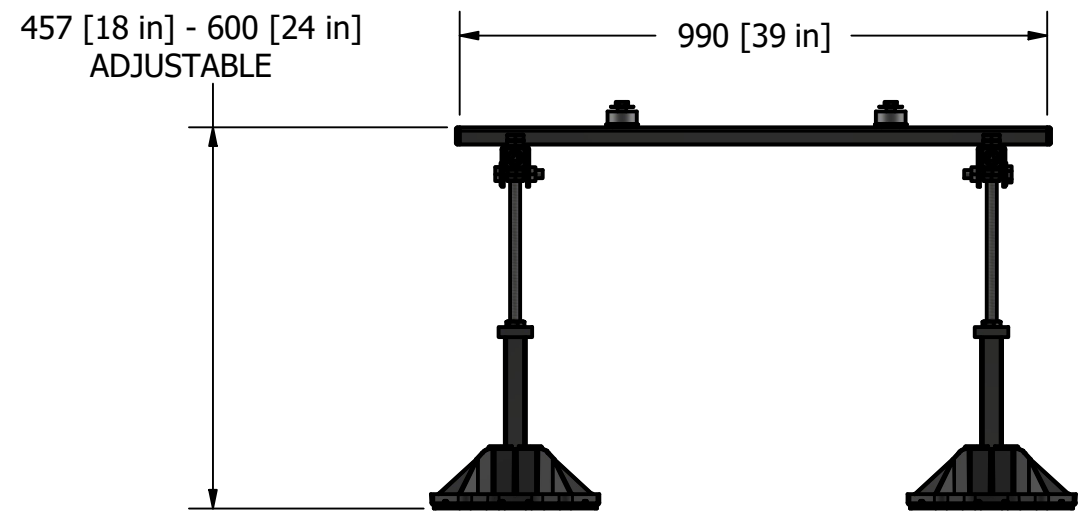
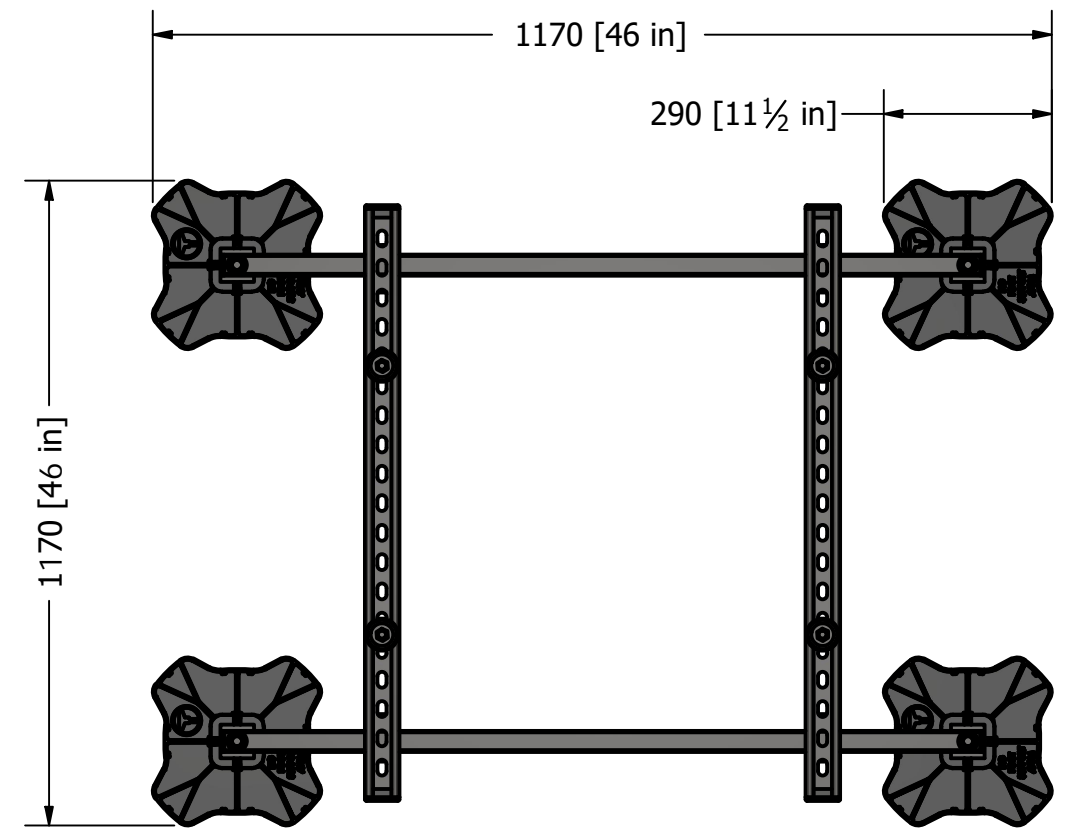
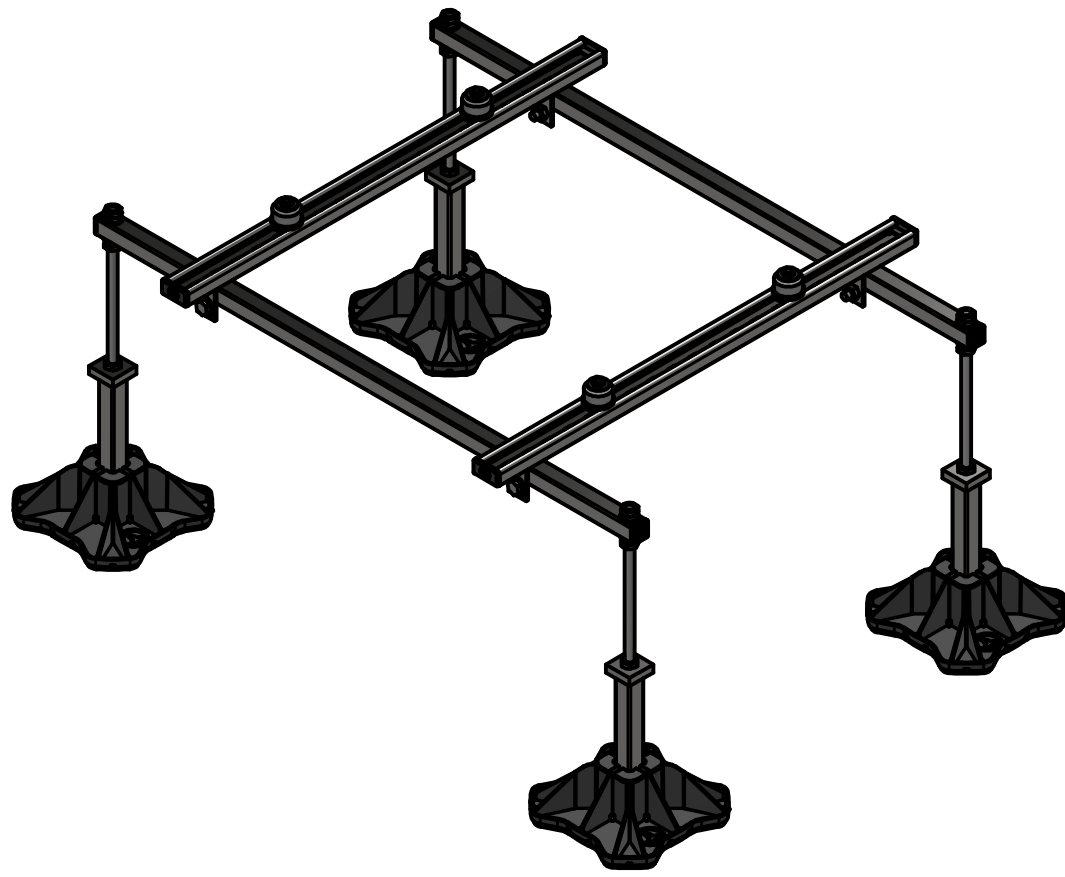
B

C

C

D

D



MAX OPERATING LOAD: 400 LBS
 NOTE: SUPPLIED LEG LOCKING TABS MUST BE INSTALLED

Installation and application considerations should include health, safety and environmental needs, regulations and standards, codes of practice, climate conditions, installation location, product orientation, evaluation of the roof structure, composition, surface and condition, ancillary and complimentary products and materials. ME SOLUTIONS recommend that all rooftop products are handled and installed by suitably qualified persons.

REV A	DATE:	2024
	DRAWN:	
	CHECKED:	
 3rd ANGLE PROJECTION		

SCALE: NTS
 DIMENSIONS mm [IN]
 SHEET 1 OF 1

TITLE:
 ME0002 - MINI FRAME
 DWG No.



1 1 2 1 3 1 4 1 5 1 6