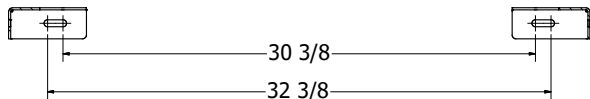
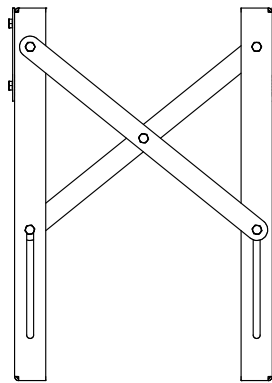
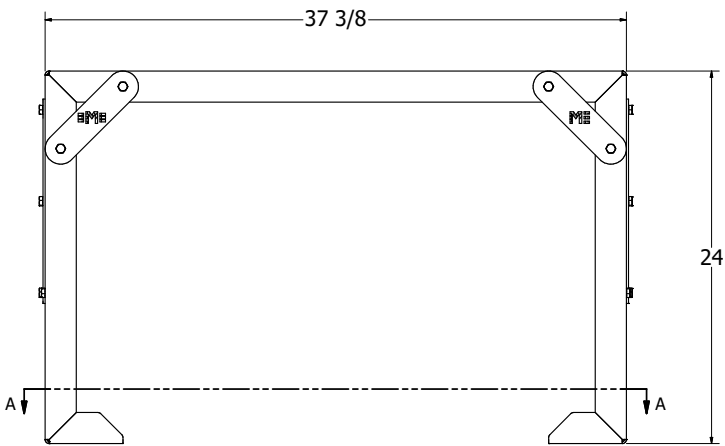
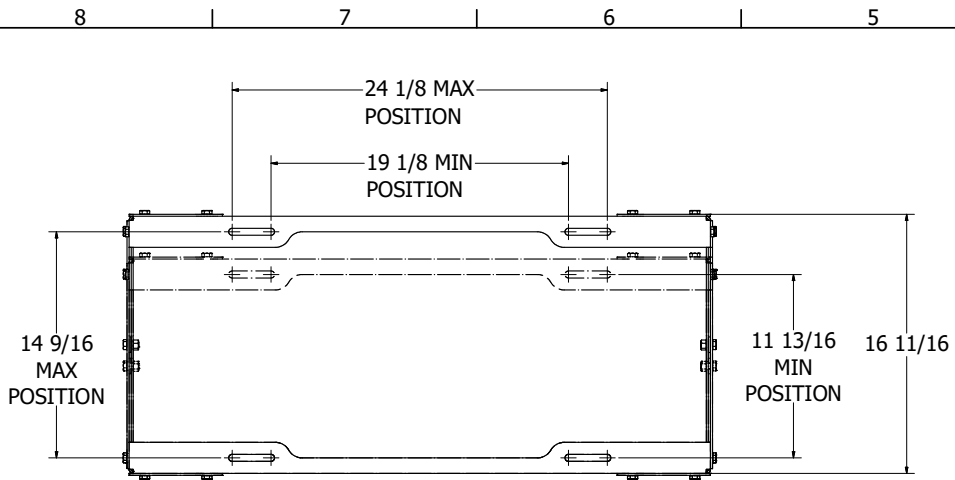


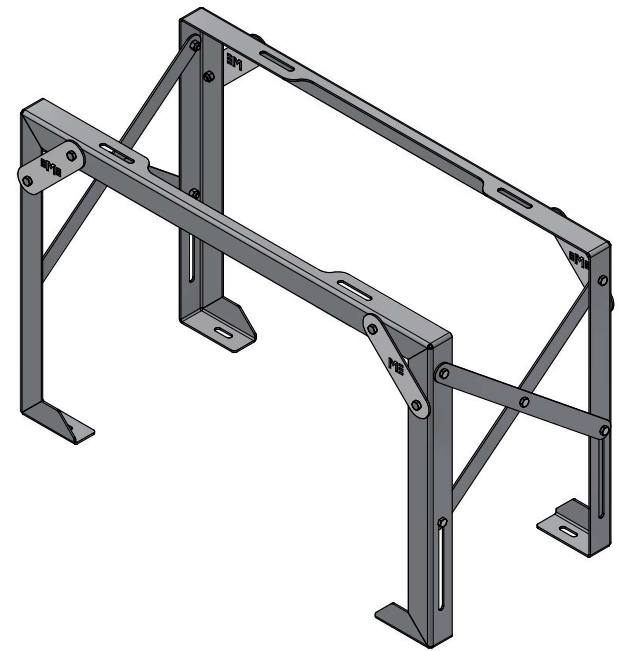
ME SOLUTIONS

EQUIPMENT STAND

1. HIGH STRENGTH MARINE GRADE ALUMINUM
2. HIGH CORROSION RESISTANCE
3. ADJUSTABLE DEPTH AND WIDTH
4. UNIFORM GRADE 5 3/8" UNC HARDWARE
5. TO BE MOUNTED TO A CONCRETE CURB OR ADEQUATE SUPPORT
6. FOR VIBRATION SENSITIVE EQUIPMENT ADD MOTOR MOUNTS BETWEEN STAND AND EQUIPMENT
7. 24" HEIGHT SUITABLE FOR HEAT PUMP OPERATIONS
8. OBSTACLE FREE DEFROST DRAINAGE



SECTION A-A
ANCHOR LOCATIONS
USE 3/8 ANCHORS



ME SOLUTIONS EQUIPMENT STAND

1. HIGH STRENGTH MARINE GRADE ALUMINUM
2. HIGH CORROSION RESISTANCE
3. ADJUSTABLE DEPTH AND WIDTH
4. UNIFORM GRADE 5 3/8" UNC HARDWARE
5. TO BE MOUNTED TO A CONCRETE CURB OR ADEQUATE SUPPORT
6. FOR VIBRATION SENSITIVE EQUIPMENT ADD MOTOR MOUNTS BETWEEN STAND AND EQUIPMENT
7. 24" HEIGHT SUITABLE FOR HEAT PUMP OPERATIONS
8. OBSTACLE FREE DEFROST DRAINAGE